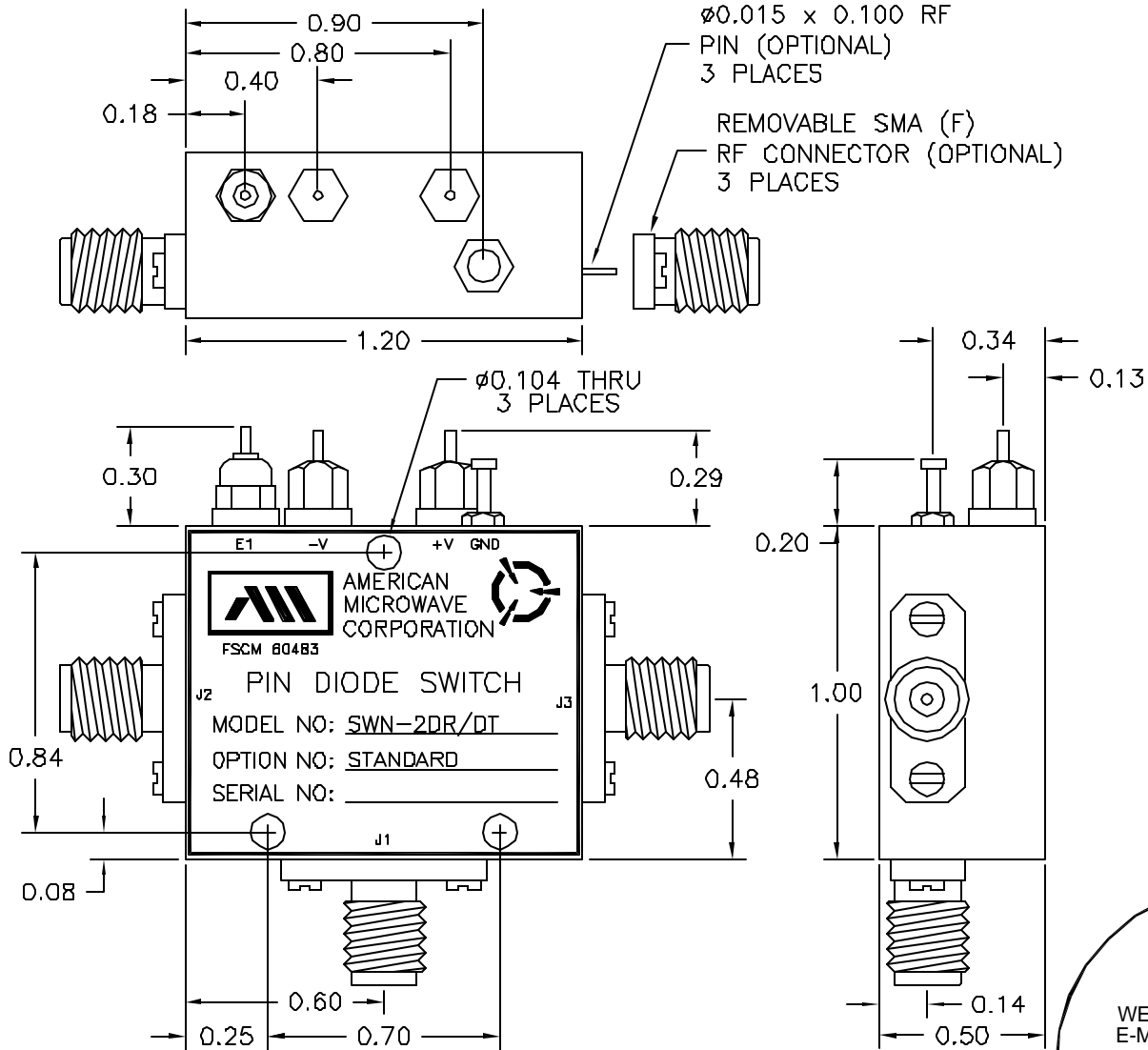


DESCRIPTION

AMC MODEL SWN-2DR/DT-STANDARD IS A SINGLE POLE TWO THROW, REFLECTIVE (DR) OR ABSORPTIVE/NON-REFLECTIVE (DT) SWITCH MODULE WITH VERY LOW INSERTION LOSS, HIGH ISOLATION AND WITH INTEGRAL TTL DRIVER, DESIGNED FOR BROAD BAND OPERATIONS.

REVISIONS				
ZONE	REV.	DESCRIPTION	DATE	APPROVED
	-	ORIGINAL RELEASE JOB# 907137-1	7/29/99	
	A	SEE ECN #05-060	8/13/05	

MECHANICAL OUTLINE



ALL DIMENSIONS ARE IN INCHES
TOLERANCES:
X.XX ±0.020
X.XXX ±0.010

AMERICAN MICROWAVE CORPORATION

7311-G GROVE ROAD
FREDERICK, MARYLAND 21704 USA
TEL: 301-662-4700 FAX: 301-662-4938
WEBSITE: www.americanmicrowavecorp.com
E-MAIL: sales@americanmicrowavecorp.com
ISO 9001:2000 CERTIFIED



APPROVALS		DATE	TITLE		
DRAWN WPP, RRd		7/29/99	MECHANICAL OUTLINE SWN-2DR/DT-STANDARD		
MODIFIED FDJ		8/13/05	SIZE A	FSCM NO. 60483	DWG NO. 100-4427-1
ISSUED			SCALE N:S	SHEET 2 OF 4	

DESCRIPTION

AMC MODEL SWN-2DR/DT-STANDARD IS A SINGLE POLE TWO THROW, REFLECTIVE (DR) OR ABSORPTIVE/NON-REFLECTIVE (DT) SWITCH MODULE WITH VERY LOW INSERTION LOSS, HIGH ISOLATION AND WITH INTEGRAL TTL DRIVER, DESIGNED FOR BROAD BAND OPERATIONS.

SPECIFICATIONS

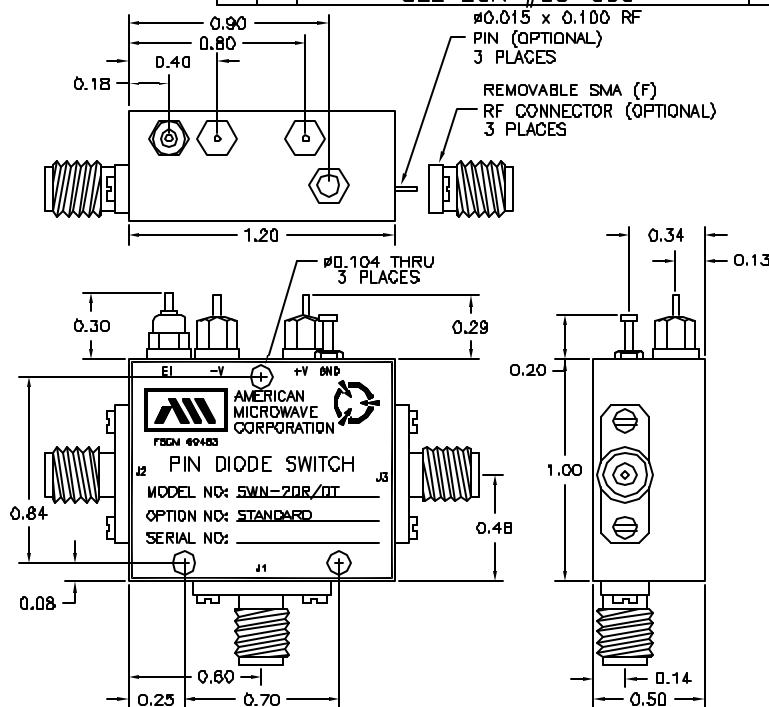
- FREQUENCY RANGE: 0.5 TO 18 GHz
- INSERTION LOSS: REFLECTIVE: 2.5 dB MAXIMUM
ABSORPTIVE: 3.5 dB MAXIMUM
- ISOLATION: 0.5 GHz TO 2 GHz: 60 dB MINIMUM
2 GHz TO 18 GHz: 70 dB MINIMUM
- VSWR: REFLECTIVE IN/OUT: 2.0:1
ABSORPTIVE IN/OUT: 2.0:1
ABSORPTIVE OUT/OFF: 2.0:1
- RISE TIME: 10 nSec TYPICAL, 15 nSec MAXIMUM
- FALL TIME: 10 nSec TYPICAL, 15 nSec MAXIMUM
- DELAY ON: 75 nSec TYPICAL, 100 nSec MAXIMUM
- DELAY OFF: 75 nSec TYPICAL, 100 nSec MAXIMUM
- POWER INPUT: (CW)+20 dBm (STANDARD), +10 dBm (HIGH SPEED)
- SURVIVAL POWER: 1 WATT CW, 10 WATTS PEAK 1 uSec
- CONTROL: TTL LOGIC "0" = J1-J2 ON
TTL LOGIC "1" = J1-J3 ON
- POWER SUPPLY: +5V @ 100 mA MAXIMUM
-5V @ 75 mA MAXIMUM (REFLECTIVE)
100 mA MAXIMUM (ABSORPTIVE/NON-REFLECTIVE)
- CONNECTORS:
RF: SMA FEMALE
CONTROL: SOLDER PIN
- SIZE: 1.20" (L) x 1.00" (W) x 0.50" (H)

OPTIONS:

- SINGLE CONTROL WITH SOLDER PIN STANDARD
- IND-SP: INDEPENDENT CONTROL WITH SOLDER PIN (LOGIC "0"=ON; "1"=OFF)
- HS: HIGH SPEED VERSION
- LVT: LOW VIDEO TRANSIENTS - SPECIFY VIDEO BANDWIDTH
- 10M1B: 10 MHz TO 18 GHz (INSERTION LOSS INCREASES
BY 1.5 dB AT 10 MHz AND 0.5 dB AT 18 GHz)
- 100M1B: 100 MHz TO 18 GHz (INSERTION LOSS INCREASES
BY 1.5 dB AT 100 MHz AND 0.5 dB AT 18 GHz)
- 052: 500 MHz TO 2 GHz (NO CHANGE IN INSERTION LOSS)
- 11B: 1 GHz TO 18 GHz (NO CHANGE IN INSERTION LOSS)
- 21B: 2 GHz TO 18 GHz (NO CHANGE IN INSERTION LOSS)
- 412: 4 GHz TO 18 GHz (NO CHANGE IN INSERTION LOSS)
- 61B: 6 GHz TO 18 GHz (NO CHANGE IN INSERTION LOSS)
- 121B: 12 GHz TO 18 GHz (NO CHANGE IN INSERTION LOSS)
- 100M20: 100 MHz TO 20 GHz (INSERTION LOSS INCREASES
BY 1.5 dB AT 100 MHz AND 1.0 dB AT 20 GHz)
- 220: 2 GHz TO 20 GHz (INSERTION LOSS INCREASES
BY 1.0 dB AT 20 GHz)
- 1020: 10 GHz TO 20 GHz (INSERTION LOSS INCREASES
BY 1.0 dB AT 20 GHz)
- B01: -12V POWER SUPPLIES
- B02: -15V POWER SUPPLIES
- B03: REVERSE LOGIC "1"=ON; "0"=OFF
- B04: DRIVERLESS, CURRENT CONTROLLED
- B05: HIGH SPEED, TURNON/TURNOFF 20 nSec MAXIMUM
WHEN APPLICABLE OR OPTION HS
- B06: HIGH POWER - SPECIFY CW POWER, PEAK POWER, PULSE WIDTH,
DUTY CYCLE, RF FREQUENCY AND BANDWIDTH
- B07: CUSTOM DESIGNED PRODUCT - SPECIFY INITIALS OF CUSTOMER
- B08: LOW VIDEO TRANSIENTS - SPECIFY VIDEO BANDWIDTH
- B09: LOW INSERTION LOSS VERSION
- B10: HIGHER ISOLATION VERSION

ALL DIMENSIONS ARE IN INCHES
TOLERANCES:
XXX ±0.020
XXX ±0.010
WEIGHT 1.5 oz. TYPICAL

REVISIONS				
ZONE	REV.	DESCRIPTION	DATE	APPROVED
-		ORIGINAL RELEASE JOB# 907137-1	7/29/99	
A		SEE ECN #05-060	8/13/05	



ENVIRONMENTAL RATINGS:

- TEMPERATURE: -55°C TO +85°C (OPERATING)
-65°C TO +125°C (STORAGE)
- HUMIDITY: MIL-STD-202F, METHOD 103B COND. B
- SHOCK: MIL-STD-202F, METHOD 213B COND. B
- VIBRATION: MIL-STD-202F, METHOD 204D COND. B
- ALTITUDE: MIL-STD-202F, METHOD 105C COND. B
- TEMPERATURE CYCLE: MIL-STD-202F, METHOD 107D COND. A

NOTE: SPECIFICATIONS WILL VARY OVER OPERATING TEMPERATURE
NOTE: THE ABOVE SPECIFICATIONS ARE SUBJECT TO CHANGE OR REVISION

AMERICAN MICROWAVE CORPORATION

7311-G GROVE ROAD
FREDERICK, MARYLAND 21704 USA
TEL: 301-662-4700 FAX: 301-662-4938
WEBSITE: www.americanmicrowavecorp.com
E-MAIL: sales@americanmicrowavecorp.com
ISO 9001:2000 CERTIFIED



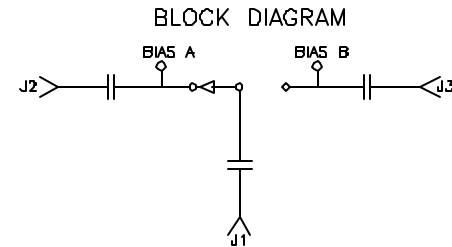
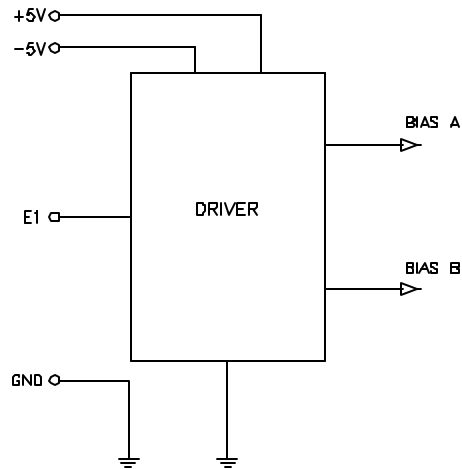
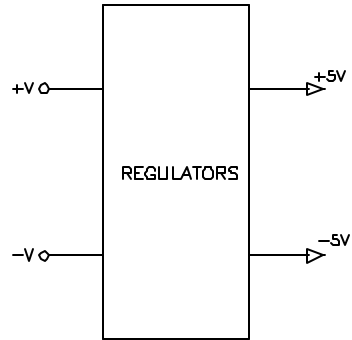
APPROVALS		DATE	TITLE		
DRAWN WPP, RRd		7/29/99	PRODUCT FEATURE SWN-2DR/DT-STANDARD		
MODIFIED FDJ		8/13/05	SIZE A	FSCM NO. 60483	DWG NO. 100-4427-1
ISSUED			SCALE N:S	SHEET 1 OF 4	

DESCRIPTION

AMC MODEL SWN-2DR/DT-STANDARD IS A SINGLE POLE TWO THROW, REFLECTIVE (DR) OR ABSORPTIVE/NON-REFLECTIVE (DT) SWITCH MODULE WITH VERY LOW INSERTION LOSS, HIGH ISOLATION AND WITH INTEGRAL TTL DRIVER, DESIGNED FOR BROAD BAND OPERATIONS.

REVISIONS				
ZONE	REV.	DESCRIPTION	DATE	APPROVED
	-	ORIGINAL RELEASE JOB# 907137-1	7/29/99	
	A	SEE ECN #05-060	8/13/05	

FUNCTIONAL BLOCK DIAGRAM



AMERICAN MICROWAVE CORPORATION

7311-G GROVE ROAD
 FREDERICK, MARYLAND 21704 USA
 TEL: 301-662-4700 FAX: 301-662-4938
 WEBSITE: www.americanmicrowavecorp.com
 E-MAIL: sales@americanmicrowavecorp.com
 ISO 9001:2000 CERTIFIED



APPROVALS		DATE	TITLE		
DRAWN <i>WFP, RRd</i>		7/29/99	FUNCTIONAL BLOCK DIAGRAM		
MODIFIED <i>FDJ</i>		8/13/05	SWN-2DR/DT-STANDARD		
ISSUED			SIZE	PSCH. NO.	DWG. NO.
			A	60483	100-4427-1
			SCALE	N:S	SHEET 3 OF 4